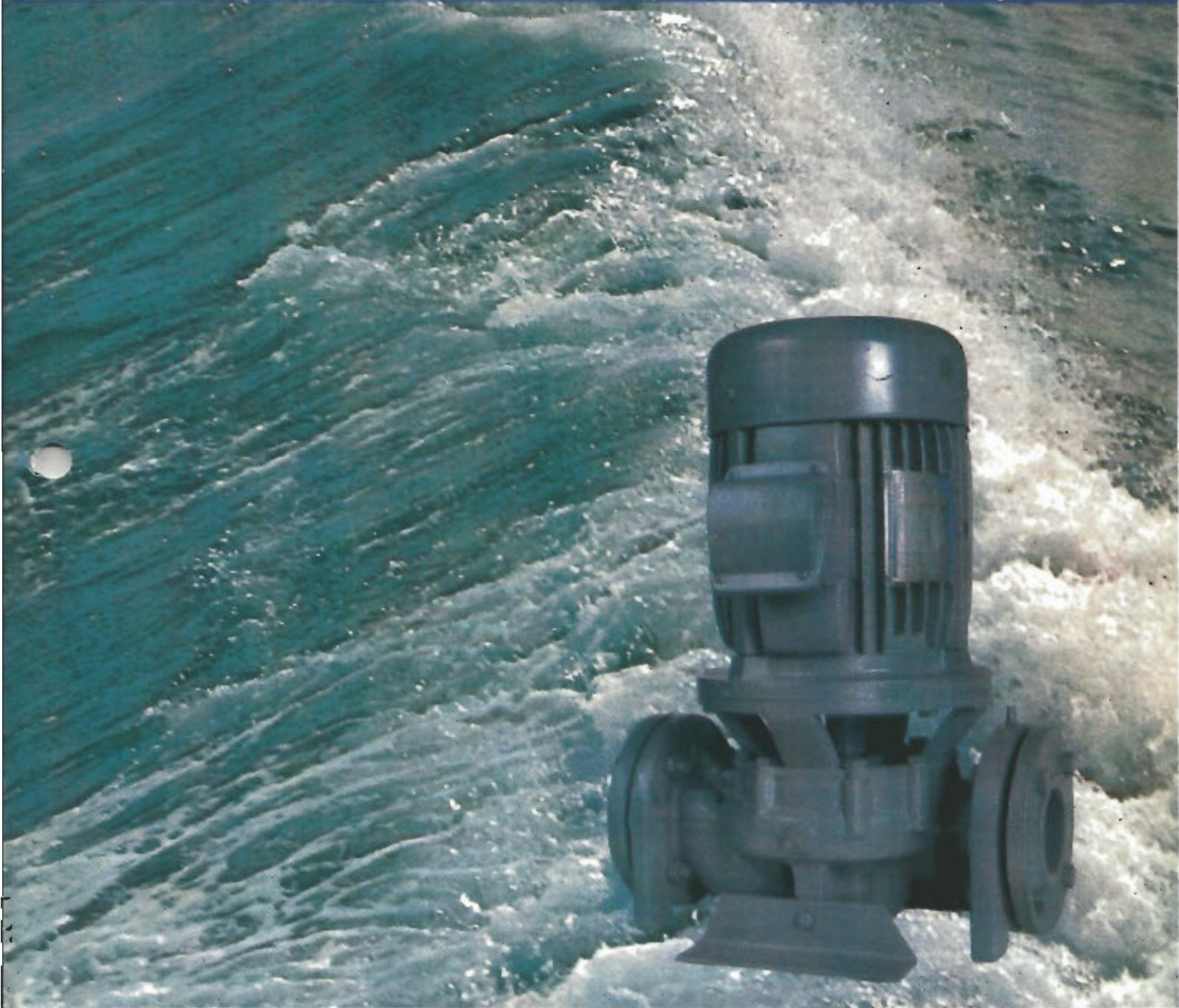


LIANG CHI HI-LINE PUMP

IN-LINE TYPE (MODEL LSP)



Liang Chi HI-LINE PUMP is special design suited for cooling tower with quiet operation. Easy installation and piping at lowest operation cost.



LIANG CHI INDUSTRY PHILS., INC.

FEATURES AND STANDARD DESIGN

FEATURES

1. Multi-purpose Service:

- For a. General Water Supply.
- b. Air conditioning System
- c. Industrial System
- d. Recirculation System

2. Most Compact Design:

Light Weight, Low Noise, a same shaft could drive two pole/four pole motor with pump.

3. Durability and Easy Maintenance:

Stainless steel shaft with special mechanical seal are used and no lubrication needed.

4. Easy Installing and Piping:

Suction and discharge connections are in-line designed and same size to simple piping, any direction can be installed.

STANDARD DESIGNES

Suction & discharge size: 32mm (1¼") to 150mm (6").

Capacity range: 3500 LPM
924 USGPM or
773 (IGPM).

Head range: to 23m (75ft).

Synchronous speed: 2850 rpm up to LSP-100A.
1450 rpm for LSP125 ~150A.

Temperature limit: 80°C (176°F).

Max. working pressure: 5kg/cm²

Water quality: Clean Water

Atmosphere: Temperature to 40°C (130°F).
Humidity to 95%.

Rotation: Clockwise when viewed from motor.

Impeller type: Volute

Material: Casing-Cast iron.
Impeller-Bronze.
Shaft-Stainless Steel.

Seal: Mechanical seal.

Motor: Class E, 2 Pole for LSP-032 ~ 100A.
4 Pole for LSP-125 ~ 150A.
Totally Enclosed Fan Cooled,
3 Phase 60Hz 220V/440V.

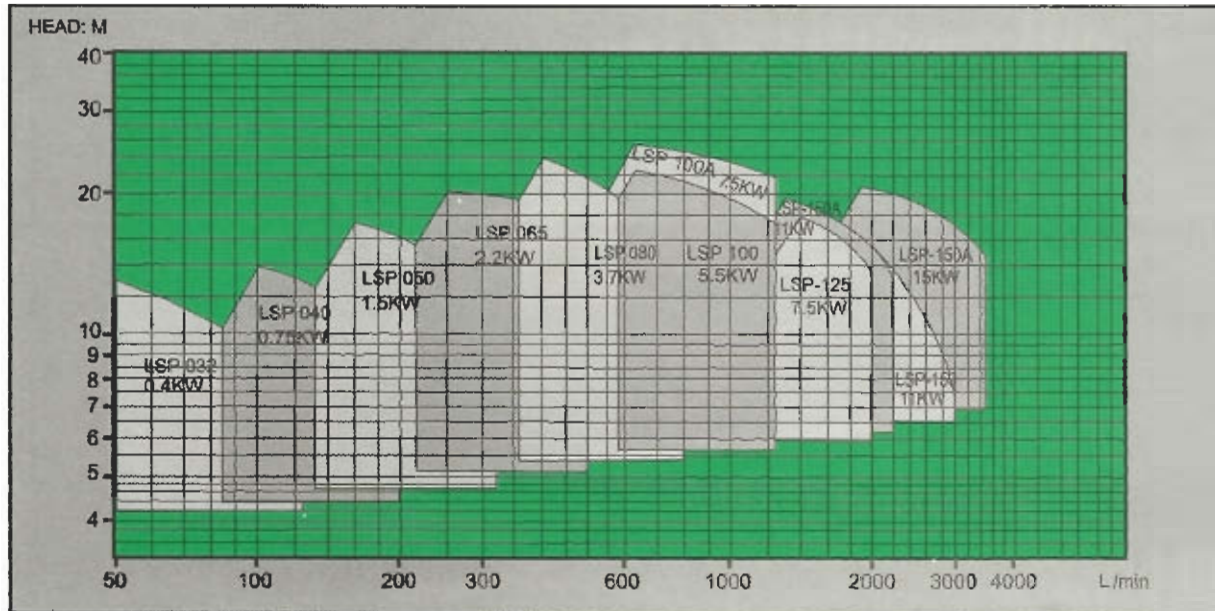
Motor bearing: Ball.

CAUTION

Relief all Air in Piping by Opening Air Vent for Priming.

PERFORMANCE CHART

(60Hz)

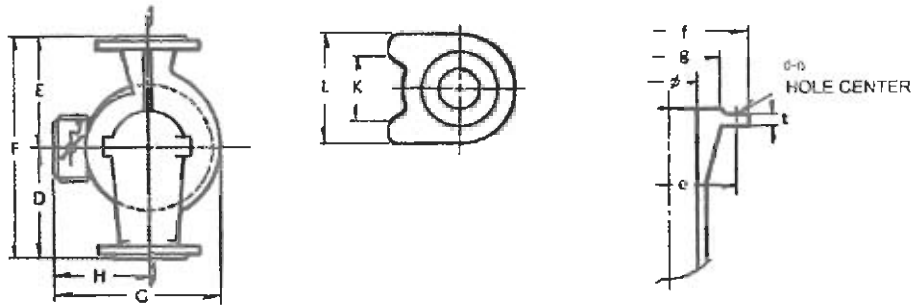


SPECIFICATION

(60Hz)

MODEL NO.	PIPE SIZE		MOTOR RATING		PUMP HEAD		CAPACITY		RECOMMENDED AIR CONDITIONING SYSTEM (RT)
	LSP	m/m	in	KW	HP	M	ft	L/m	
-032	32	1 1/4"	0.4	1/2	12.8 10.0 7.0	42.0 32.0 23.0	50 90 125	13.2 23.8 33.0	3 ~ 10
-040	40	1 1/2"	0.75	1	13.8 11.2 8.6	45.9 36.7 28.2	100 160 200	26.4 42.3 52.8	15 ~ 20
-050	50	2"	1.5	2	17.2 14.4 11.2	56.4 47.2 36.7	160 250 320	42.3 66.0 84.5	25 ~ 30
-065	65	2 1/2"	2.2	3	20.3 19.0 17.7	68.6 62.3 58.1	250 400 500	66.0 105.7 132.1	40 ~ 50
-080	80	3"	3.7	5	23.7 19.6 13.2	77.7 64.3 43.3	400 600 800	105.7 158.5 211.4	60 ~ 90
-100	100	4"	5.5	7 1/2	22.8 19.9 17.4	74.1 65.3 43.3	630 1000 1250	166.4 264.2 330.3	80 ~ 100
-100A	100A	4"	7.5	10	25.4 23.7 22.0	83.3 77.7 72.2	630 1000 1250	166.5 264.2 330.3	80 ~ 100
-125	125	5"	7.5	10	18.0 17.4 14.0	59.0 55.8 45.9	1400 1600 2000	369.9 422.7 528.4	100 ~ 150
-125A	125A	5"	11	15	19.7 18.0 13.9	64.6 59.0 45.6	1300 1700 2250	343.5 449.0 594.5	100 ~ 150
-150	150	6"	11	15	14.0 11.7 7.5	45.9 36.1 24.6	2200 2600 3000	581.2 686.9 792.6	175 ~ 225
-150A	150A	6"	15	20	20.8 19.0 15.0	68.2 62.3 49.2	1900 2700 3500	502.0 713.3 924.7	175 ~ 225

DIMENSIONS



FLANGE DIMENSION

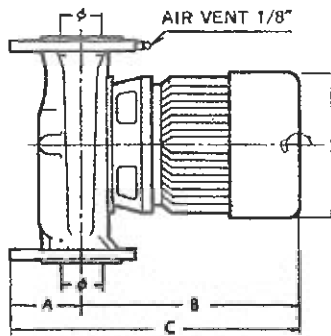


FIG. 1

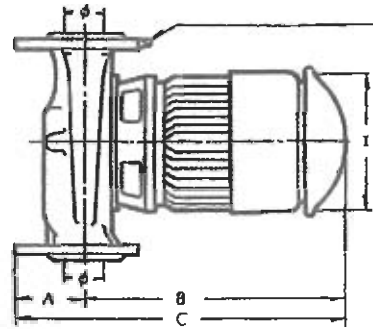
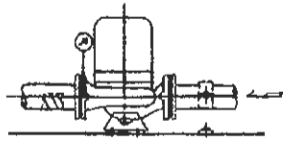


FIG. 2

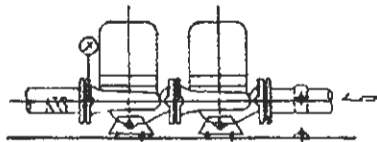
MODEL NO. LSP	FIG. NO.	PUMP CASING ^{mm} / _m											FLANGE ^{mm} / _m							WEIGHT (kg)	
		A	B	C	D	E	F	G	H	I	J	K	L	O	f	e	g	t	n		d
-032	1	73	313	386	140	140	280	243	148	160	17	80	125	32	125	100	80	17	4	12	32.4
-040	1	75	346	421	150	150	300	269	157	179	17	80	130	40	130	105	85	17	4	12	41.2
-050	1	85	388	473	169	150	310	288	166	199	17	85	145	50	145	120	100	17	4	12	51
-065	1	90	400	490	175	165	340	300	176	223	17	106	166	65	166	140	121	17	4	12	63
-080	1	103	442	545	200	193	393	317	181	228	17	102	179	80	179	150	130	17	8	15	85
-100	1	113	483	596	228	207	435	378	224	275	23	126	208	100	208	175	156	17	8	15	121.8
-100A	2	113	626	739	228	207	435	378	224	310	23	126	208	100	208	175	156	17	8	15	135.8
-125	2	130	692	822	284	252	536	425	224	310	23	150	240	125	240	210	185	20	8	16	182.6
-125A	2	130	723	853	284	252	536	478	277	342	35	150	240	125	240	210	185	20	8	16	222
-150	2	145	724	869	311	274	585	509	277	342	35	180	270	150	270	240	215	20	8	16	246
-150A	2	145	768	913	311	274	585	509	277	342	35	180	270	150	270	240	215	20	8	16	273

INSTALLATION PURPOSE

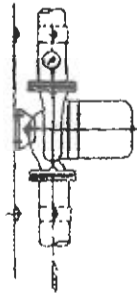
Cooling System Circulation



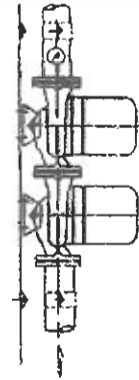
Horizontal Type Single Stage



Horizontal Type Multi Stage

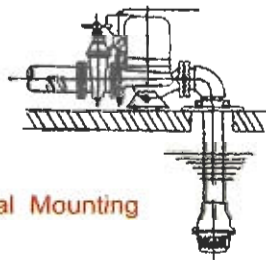


Vertical Type Single Stage

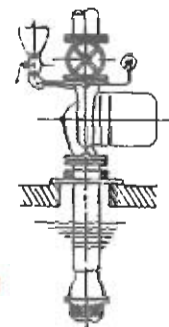


Vertical Type Multi Stage

For Water Supply

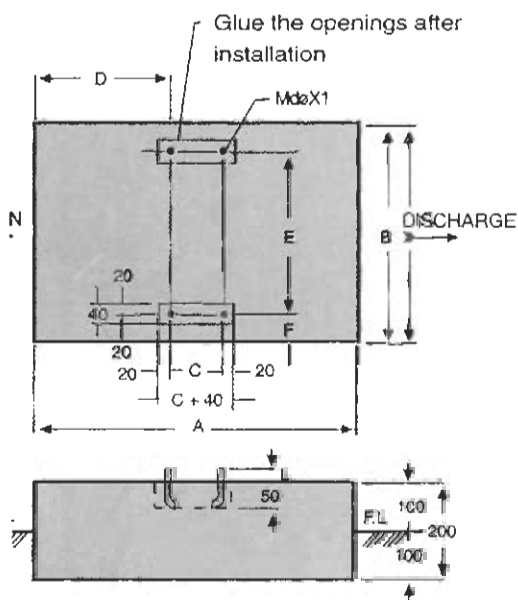


Horizontal Mounting



Vertical Mounting

FOUNDATION DRAWING AND DIMENSIONS



Remark: Referring height of foundation is 200%

UNIT: m/m

Model LSP	A	B	C	D	E	F	Anchor Bolt	
							M	M ϕ X1
032 032A	330	300	135	131.5	216	42	20	M8x60
040 040A	350	300	135	141.5	216	42	20	M8x60
050 050A	370	300	135	156	228	36	20	M8x60
065 065A	390	330	135	171.5	241	44.5	20	M8x60
080 080A	450	350	135	195.5	264	43	20	M8x60
100 100A	480	370	135	216.5	288	41	20	M8x60
125 125A	600	390	135	266	308	41	20	M8x70
150 150A	650	440	135	293.5	351	44.5	20	M8x70

LIANG CHI HI-LINE PUMP



LIANG CHI INDUSTRY PHILS., INC.

Km. 20 Ortigas Ave. Ext'n.,
Bo. San Isidro, Taytay Rizal
Tel. Nos.: 658 8529, 658 8769,
660 0532 & 660 0556
Fax No.: 658 8769

LIANG CHI INDUSTRY PHILS., INC.
CEBU OFFICE:
2nd Flr. Rms. A, B & C, Athecor Bldg.
Highway Tipolo, Mandaue City, Cebu
Tel. Nos.: 346 6055, 344 1258 & 344 1259
Fax. No.: 346 6055

LIANG CHI INDUSTRY PHILS., INC.
DAVAO OFFICE:
523 7th Ave. Bangkal,
Davao City
Tel. No.: 298 1954
Fax No.: 298 1955